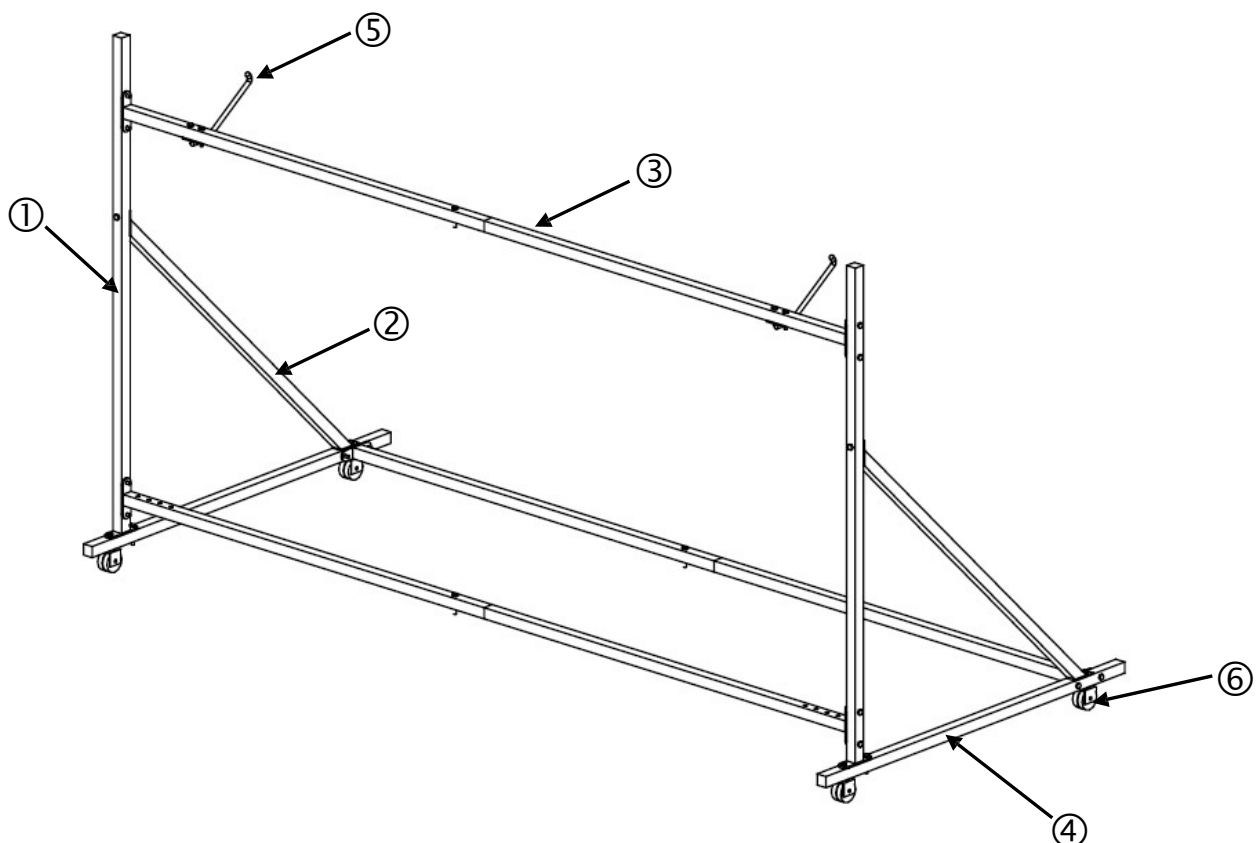


Operating/assembly instructions Sport-Thieme transport trolley for handball goals with total height of 195 cm

Thank you very much for choosing a **Sport-Thieme** product. We want to make sure that you can enjoy this product, so here is some important advice for your safety as well as for the use and maintenance of the equipment.

Please read these instructions carefully before you assemble and use the equipment:



III.1: Sport-Thieme transport trolley for low clearance heights

Included:

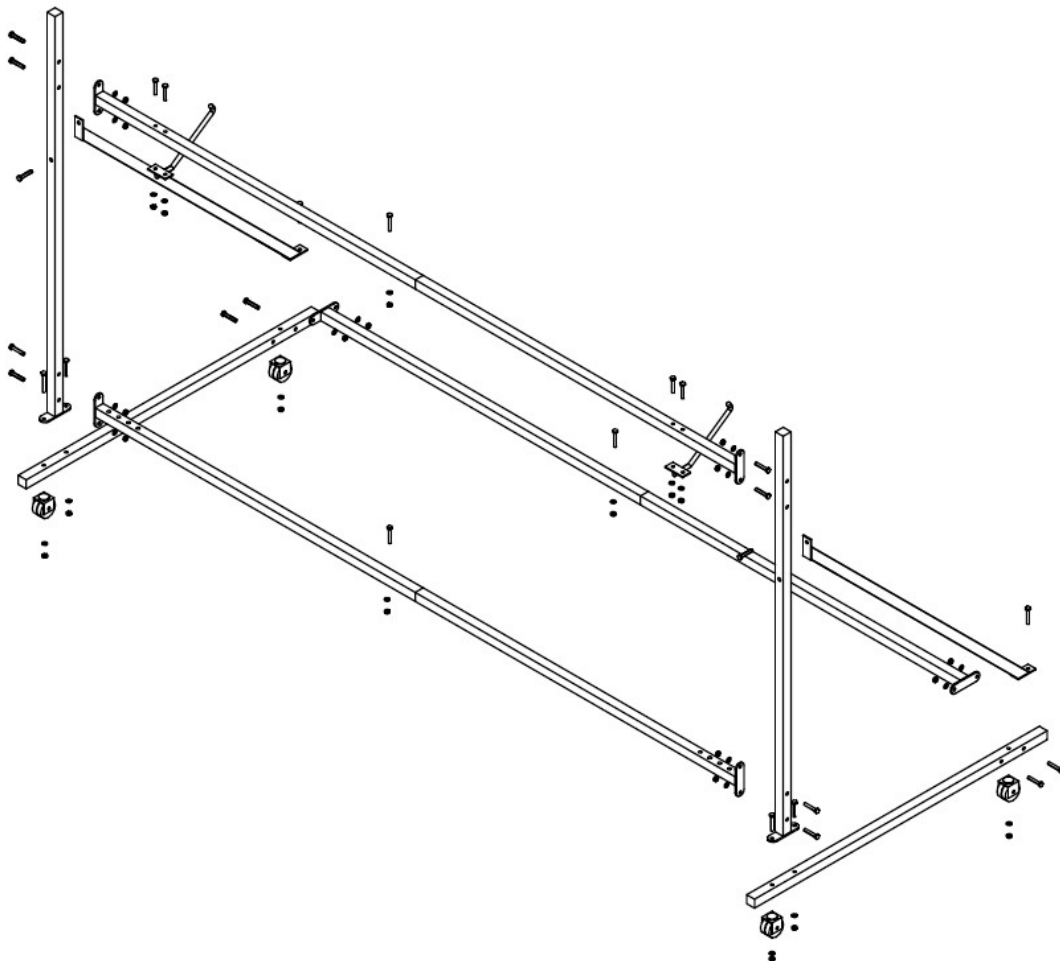
<u>Pos.</u>	<u>Description</u>
1	2 x post
2	2 x diagonal strut
3	6 x cross section
4	2 x rolling gear
5	2 x bracket
6	4 x double swivel castor

Set of screws: 20 x hex bolt M10 x 65 mm DIN 931
 3 x hex bolt M10 x 60 mm DIN 931
 4 x hex bolt M10 x 80 DIN 931
 27 x hex bolt M10 DIN 985
 54 x washer A 10.5 DIN 125

1. General

The Sport-Thieme transport trolley for handball goals for low clearance heights is the space-saving storage solution for your handball goals. It is specifically designed for this purpose. A total height of 195 cm makes the transport trolley ideal for sports halls with low clearance heights. Assembly takes approx. 45 minutes and should be done by 2 persons..

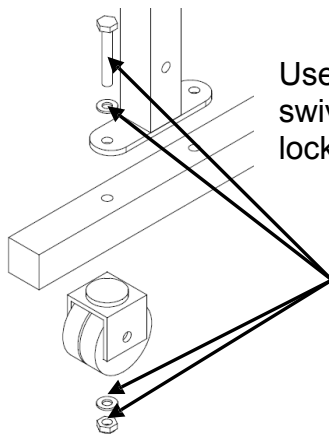
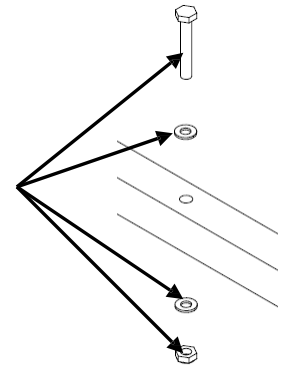
2. Assembly instructions



III. 2: Sport-Thieme transport trolley for low clearance heights

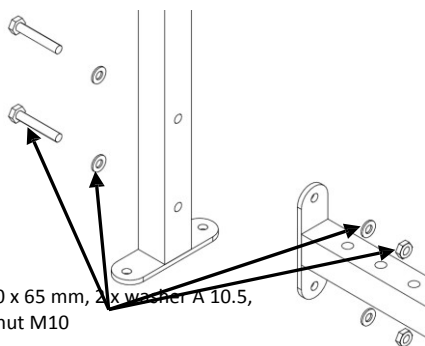
To connect the six cross sections, use 3 hex bolts M10 x 60 with 2 washers and a locking nut M10 per cross section.

M10 x 60 mm, 2 x washer A 10.5,
1 x nut M10



Use the hex bolts M10 x 80 to assemble the 4 double swivel castors. For this, also use 2 x washer and 1 x locking nut M10 per screw connection.

M10 x 80 mm, 2 x washer A 10.5,
1 x nut M10



M10 x 65 mm, 2 x washer A 10.5,
1 x nut M10

For all other screw connections, use the hex bolts 10 x 65 mm with washers and locking nut M10.

First, connect the side parts, consisting of:

1 x rolling gear, 1 x diagonal strut, 1 x post and 2 x double swivel castor. Next, put together the six cross sections as shown in ill. 1 and 2. Ensure the correct number of holes in the section pairs. The bottom front section pair has 4 holes on both sides to receive the goal's setscrews in storage position. The top pair of cross sections has 2 holes each. Here, the brackets are attached. The rear cross sections have no additional holes. Connect the 2 cross sections with the assembled side parts.

Caution: Do not overload or climb the equipment!



Maintenance and care instructions

Instructions: Carry out a visual check at regular intervals. Due to our continuous quality control of the products, technical changes may occur which may lead to slight deviations in the instructions.
Check at regular intervals that the screw connections are tight.
Check the equipment for possible damage and replace worn-out parts. Ensure that moveable parts are free-moving.

We are happy to answer any questions you may have.

Your **Sport-Thieme** Team